

WAPP

Water Applications

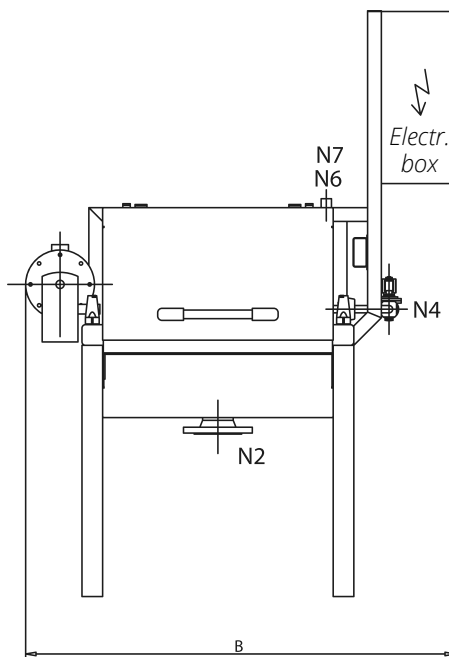
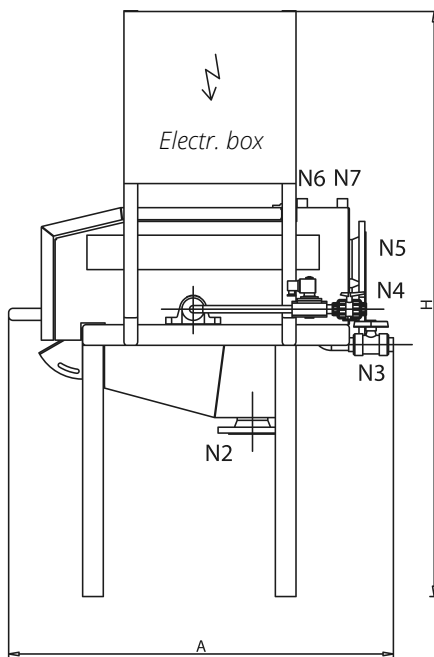
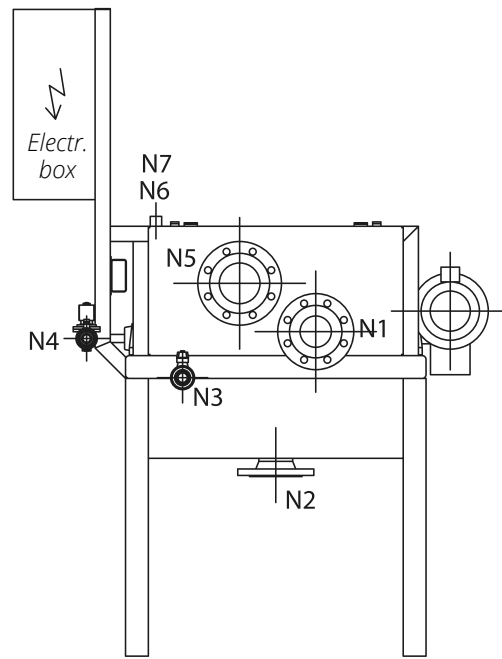
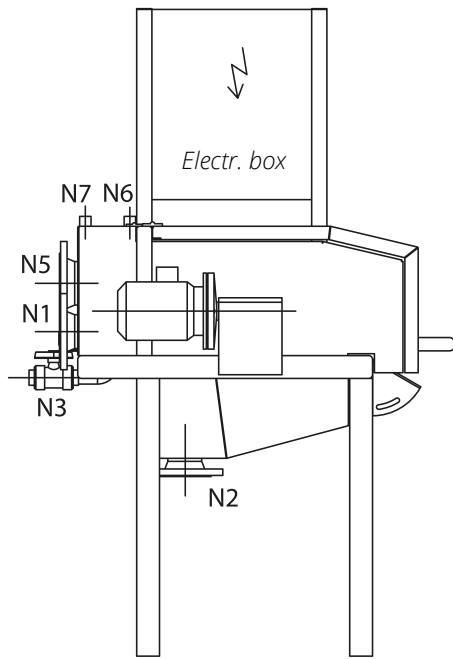
WAPP-DS ROTARY DRUM SCREEN

FOR MECHANICAL PRETREATMENT OF WASTEWATER

SIMPLE...



...BUT UP-TO-DATE



LIST OF CONNECTIONS

- | | |
|------------------|---------------------|
| N1 Influent pipe | N5 Overflow pipe |
| N2 Effluent pipe | N6 Level control 01 |
| N3 Drainage pipe | N7 Level control 02 |
| N4 Washing pipe | |

FIELD OF USE

- Public wastewater treatment - communal wastewater mechanical filtration alternative of automatic fine screens
- Industrial wastewater treatment - dairy, meat, pulp and paper industry mechanical filtration separation of suspended solids

FEATURES	Unit	Equipment types			
		WAPP-DS 300	WAPP-DS 660	WAPP-DS 990	WAPP-DS 1330
Total length (B) *	mm	750	1050	1350	1900
Total width (A) *	mm	1100	1100	1100	1100
Total height (H) *	mm	1300	1300	1300	1300
Rated power*	kW	0,25	0,25	0,25	0,25
Bar spacing/Maximum filtering capacity**	m ³ /h	0,5 mm – 25 m ³ /h 1 mm – 40 m ³ /h 2 mm – 60 m ³ /h 5 mm – 80 m ³ /h	0,5 mm – 50 m ³ /h 1 mm – 80 m ³ /h 2 mm – 120 m ³ /h 5 mm – 160 m ³ /h	0,5 mm – 75 m ³ /h 1 mm – 120 m ³ /h 2 mm – 180 m ³ /h 3 mm – 240 m ³ /h	0,5 mm – 100 m ³ /h 1 mm – 160 m ³ /h 2 mm – 240 m ³ /h 3 mm – 300 m ³ /h
Empty weight*	kg	200	350	425	500
Operational weight*	kg	350	550	700	850
Drum parameters		length: 300	length: 660 mm	length: 990	length: 1,330
		bar spacing: 0.5 -5 mm	bar spacing: 0.5 -5 mm	bar spacing: 0.5 -3 mm	bar spacing: 0.5 -3 mm
Effluent pipe connection (N2)		DN 80- DN100	DN 150- DN200	DN 200- DN250	DN 250- DN300
Overflow pipe connection (N5)		DN 100	DN 200	DN 250	DN 300

* it can change after a detailed specification, ** with drinking water depending on the bar spacing



ACCESSORIES:

- Screenings transport and compressing system
- Screenings dewatering grate by gravity, with manual pulling-off
- Screenings sliding plate from identic structural material
- Own control box, even according to individual needs,
- PLC programme with local display
- Optional signal transmission, remote access
- Complete system integration
- Warm water washing preparation



BENEFITS:

- It is not sensitive for textile fibres, rags
- Easy installation, cleaning
- Robust design
- Economical operation and maintenance
- Specific bar spacing (even from 0.02 mm)
- Specific structural material selection
- It fits to existing systems, individual manufacturing
- Automatized washing/cleaning system
- Manufacturing/maintenance in EU
- Component supply from stock

ELECTRICAL DATA

- 0.25 kW, 400 V, 50 Hz
- With IP 55 protection
- Opening alarm, to avoid accidents
- Documentation according to EU legislation

OTHER FEATURES

- Excellent price/value ratio
- Turnkey implementation (installation, start-up)
- Perfect alternative instead of spiral or step fine screens
- Several communal and industrial references



MANUFACTURER AND DISTRIBUTOR:

WAPPtech Environmental technology Ltd.

H-1188 Budapest, Csörgőfa street 2/D

info@wapp.hu

www.wapp.hu

WAPP
Water Applications